

# NOCTA Mini

Jam-Proof Aerial Optical Positioning System

Continuous positioning independent to the GNSS service

## AeroGuardian's **NOCTA Mini**

Rugged, All Weather,  
24/7 Optical Positioning System



### MAIN ADVANTAGES AND FEATURES



Lightweight  
185g



Low Power Consumption  
4-6W



Thermal Imaging



High Accuracy,  
Drift-Free  
Positioning



Advance  
Machine Vision  
Capabilities

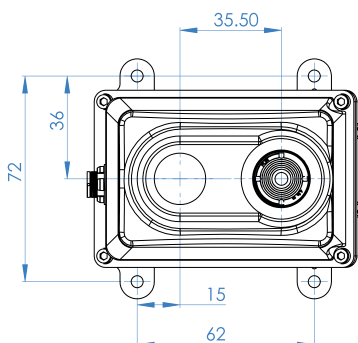


## APPLICATIONS

- Multi rotor platforms
- Fix wing platforms
- Photogrammetry and intelligence
- Logistics UAS

## BENEFITS

- Jam / Spoof Proof operation
- Safety and mission robustness
- SWAP design
- Simple integration



## TECHNICAL SPECIFICATIONS

### Day Sensor

CMOS, Color  
1280x720p  
HFOV 82 deg

### Night Sensor

Thermal, Uncooled  
LWIR 640X512, 12μ  
HFOV 95 deg

### Size

92L x 84W x 51H mm

### Weight

185g

### Power input

DC12V-36V

### Consumption

~0.5A@12VDC (~ 6W)

### Interface

2X UART / LAN 10/100

### Data Interface

NMEA / MavLink

### Storage

Micro SD

### Availability

Takeoff to landing

AEROGUARDIAN™  
**Contact Us**

Tel: +972-3-5101544  
Fax: +972-3-5101533  
Address: 11 Amal St. Rosh Ha'ayin  
P.O.B 11820, Israel 48092

Email: [info@navigationsguard.com](mailto:info@navigationsguard.com)  
Website: [navigationsguard.com](http://navigationsguard.com)